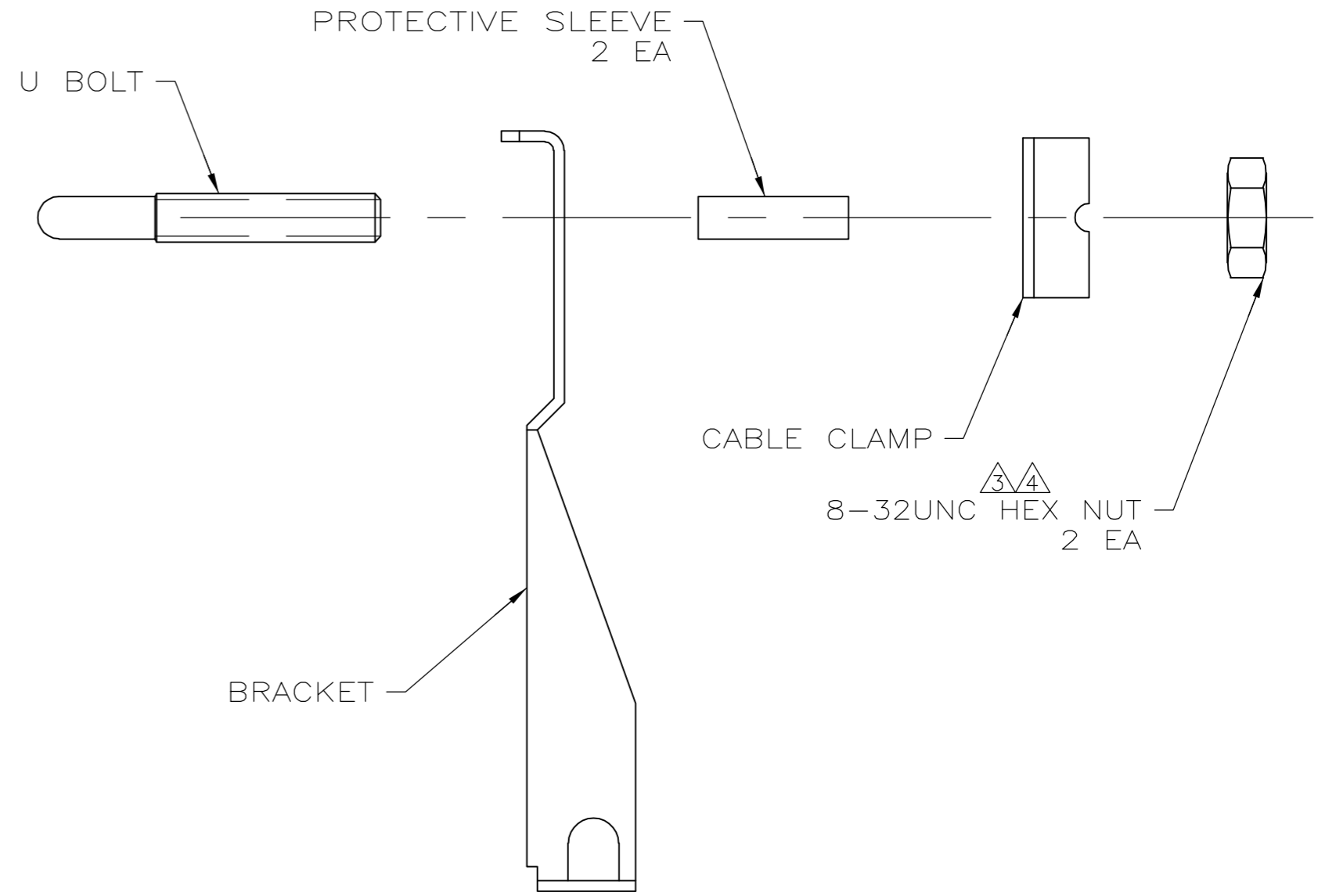
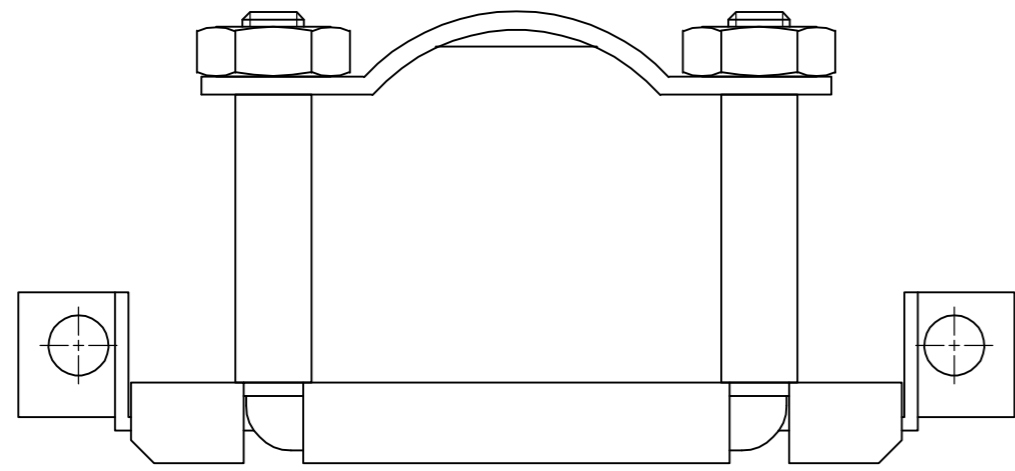
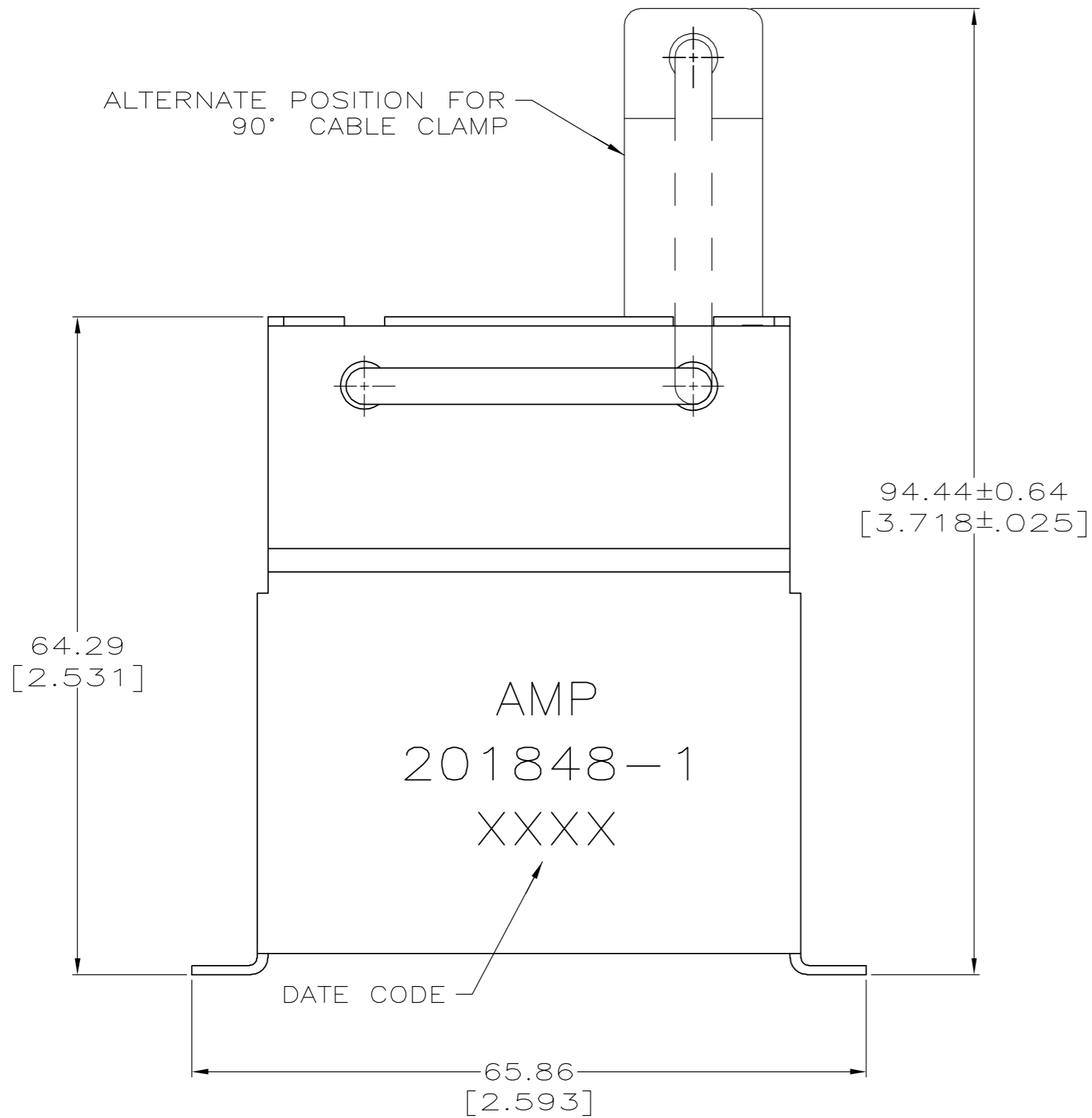


THIS DRAWING IS UNPUBLISHED. RELEASED FOR PUBLICATION  
 © COPYRIGHT BY TYCO ELECTRONICS CORPORATION. ALL RIGHTS RESERVED.

LOC		DIST		REVISIONS			
P	LTR	DESCRIPTION		DATE	DWN	APVD	
FT	0	J1	REVISED PER ECO-05-4934		7/21/05	SS	GS



ALTERNATE POSITION FOR 90° CABLE CLAMP



AMP  
201848-1  
XXXX

DATE CODE

ASSEMBLED VIEW

- BRACKET & U BOLT: STAINLESS STEEL. CABLE CLAMP AND HEX NUTS: CARBON STEEL. PROTECTIVE SLEEVES: POLYVINYL CHLORIDE.
  - BRACKET & U BOLT: PASSIVATED. CABLE CLAMP: 5.08um[.000200] MIN NICKEL.
- ZINC PLATED WITH HEXAVALENT CHROMIUM.  
 ZINC PLATED WITH NON-HEXAVALENT CHROMIUM.

	201848-5
	201848-1
NUT FINISH	PART NUMBER

THIS DRAWING IS A CONTROLLED DOCUMENT.		DWN C.REIFSNYDER 31 OCT 95	Tyco Electronics Corporation Harrisburg, Pa 17105-3608	
DIMENSIONS: mm [INCHES]		CHK R.STONE 02 NOV 95	NAME G.A.STEINHAUER	
TOLERANCES UNLESS OTHERWISE SPECIFIED:		APVD G.A.STEINHAUER 02 NOV 95	PRODUCT SPEC	
0 PLC ± - 1 PLC ± - 2 PLC ± 0.38[.015] 3 PLC ± - 4 PLC ± - ANGLES ± - FINISH -		APPLICATION SPEC	CLAMP KIT, UNASSEMBLED, 75 PLACE, STRAIN RELIEF, M SERIES	
MATERIAL	-	WEIGHT	SIZE A2	CAGE CODE 00779
CUSTOMER DRAWING		SCALE 2:1	DRAWING NO C=201848	RESTRICTED TO -
		SHEET 1	OF 1	REV J1